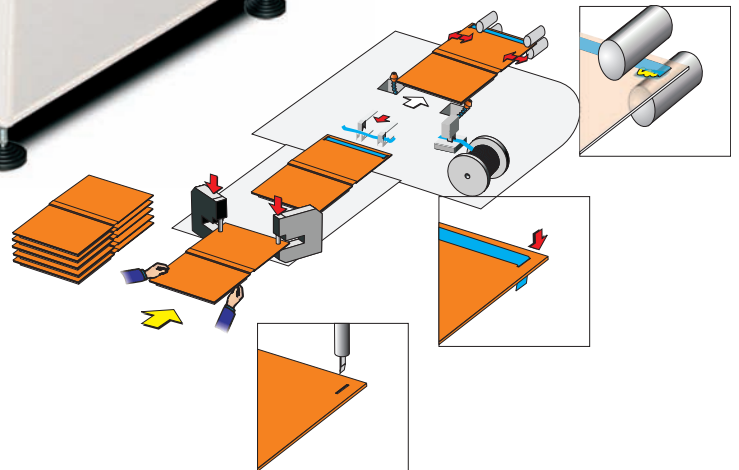
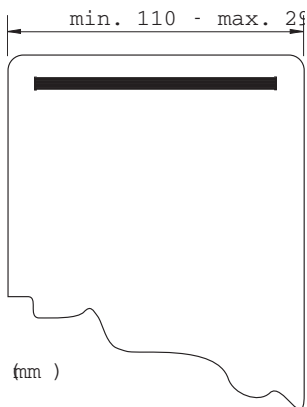


# AGD-EI



Automatic machine to thread and to glue one flat elastic tape 5 mm wide onto covers of agendas, diaries, books etc.

*Machine automatique pour enfiler et coller une bande élastique plate large 5 mm sur couvertures d'agendas, cahiers, livres, etc.*



Used materials: open agenda, diary, book etc. covers, elastic tape 5 mm wide, hot-melt glue  
 Board thickness: 1 to 2,5 mm  
 Capacity: up to 8 cycles/minute\*  
 Electrical power req.: 2 Kw  
 Pneumatic consumption: 100 NI/minute (7 bar)  
 Overall dimensions: L= 1500 mm P= 1100 mm H= 1400 mm

*Matériaux utilisés:* couvertures ouvertes d'agendas, cahiers, livres, etc., bande élastique large 5 mm, colle hot-melt  
*Épaisseur carton:* de 1 à 2,5 mm  
*Capacité:* jusqu'à 8 pièces/minute\*  
*Puissance électrique:* 2 Kw  
*Consommation pneumatique:* 100 NI/minute (7 bar)  
*Encombres:* L=1500 mm P= 1100 mm A= 1400 mm

\* Production capacity of every machine depends on sizes, type of materials, glues and operator skill  
 Peroni's policy is one of continual product improvement and we can reserve the right to alter design and/or specifications without notice