

Pioneer PUR

from short runs
digital printing to
perfect binding



Touch Screen



Thickness Measuring Table



Milling Station



Gauzing Station



Endpaper Lifter

Pioneer PUR é o nosso equipamento com todos os ajustes automáticos para produção de livros com capa mole que inclui o sistema NPS integrado PUR , com ajuste simples e fácil .

Sistema para aplicar guardas incluído (para capa dura)

O sistema patenteado NPS integrado PUR consiste num tanque de fusão pressurizado com capacidade para 2 kg de cola PUR , engenharia de precisão , aplicador livre tanto para colagem da lombada como para colagem lateral que garante um controle preciso de cola e uma operação segura com o mínimo de desperdício.

Para qualquer tipo de papel



Equipamentos e consumíveis para artes gráficas

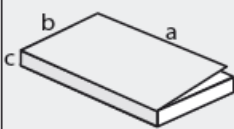
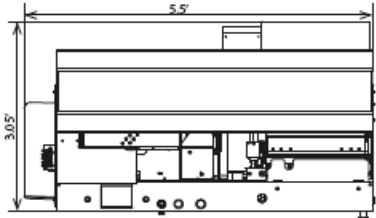
Pioneer PUR

from short runs
digital printing to
perfect binding

Standard and optional equipment	Pioneer
Graphical touch screen panel (GUI)	●
Copy counter	●
Job memory	●
Diagnostic and controls	●
Temperature controls	●
Automatic setup	○
Variable speed	●
Automatic clamp adjustment	●
Automatic clamp opening-closing	●
Milling + micro-notching	●
Paper chip removal	●
Electronic spine & slide glue cut off	●
Thickness measuring table w/automatic adjustment	○
Automatic rear cover register guide	○
Milling adjustment 0-2 mm	○
Milling tilt-away system for sewn books	○
Guides for lining material	●
Application of endpapers	●
Adjustable pressing & nipping time	●
Adjustable nipping level	○
Separate Hot Melt tank + cleaner	○

○ Optional
● Standard

Data sheet

	a min 4.33" - max 17.3" b min 3.9" - max 13" c min 0.08" - max 1.97"	<ul style="list-style-type: none"> ◆ Touch Screen ◆ Professional Milling & Notching station ◆ Patented built-in sealed 2 Kg PUR gluing systems ◆ Independent side and spine gluing applicators ◆ Adjustable heating, glue pressure and dwell time
Cover size	min 9.45"x4.33" - max 37"x17.9"	
Cover weight	min 80 - max 350 g/m ² (between 30 and 130lbs cover stock) along grain direction. Covers of special materials and sizes beyond a.m. data can be processed - subject to inspection.	
Speed	200 cycles/hour	
Net weight	638 lbs	
Power supply	220 V, 50Hz single-phase. Other voltages on request.	
		

Subject to modifications without notice.

